



HT28 RTJ PRO

Performance & Productivity

- Best horizontal outreach of 23,85m
- Homogenous and fluid working envelope
- Outstanding RT capacities
- Dual load capacity 230 - 350kg (option)

Safety & Comfort

- Safe loading/unloading in conditions with low visibility thanks to the Activ'Lighting System
- Unmatched comfort & smoothness in elevation thanks to a unique regulation system of boom movements
- Most rigid boom
- Haulotte's Activ'Shield Bar **

Cost efficiency

- Haulotte Activ'Screen (on board diagnostic)
- Haulotte Stop Emission System which automatically turns off & on the engine
- Easy access to all components
- Modular basket quick and easy to repair

Haulotte



HT28 RTJ PRO

ROUGH TERRAIN TELESCOPIC BOOMS

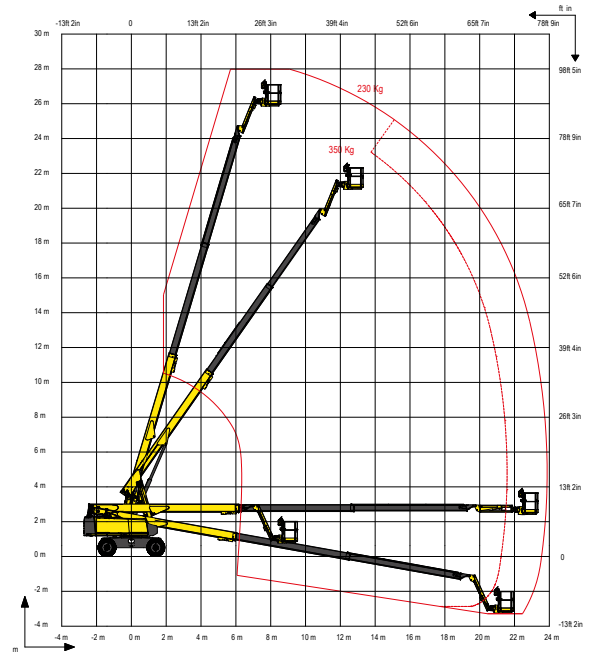


TECHNICAL DATA

HT28 RTJ PRO

4WD-4WS

Working height	27.9 m
Platform height	25.9 m
Horizontal outreach	23.85 m
Below ground reach	3 m
Lift capacity	230 kg (2 persons)
F x G Platform size	2.44 x 0.91 m
A Length - stowed	13.05 m
H Length - storage	9.8 m
B Width	2.48 m
C Height - stowed	2.85 m
I Height - storage	2.98 m
Vertical jib rotation	133° (-66°/+67°)
Jib length	1.83 m
Boom rotation angle	84.5° (+74.5°/-10°)
Turntable rotation	360° continuous
Tailswing	150 cm
D Wheelbase	2.8 m
E Ground clearance	48 cm
Tilt	4 °
Drive speed	0.5 - 5 km/h
Gradeability	45 %
Turning radius - outside	4.35 m
Tires - foam-filled	Solid RT cured on 1025x365 mm
Engine	EU: Kubota, 53kW (72hp), Stage 3B NRC: Kubota, 49.2kW (66.8hp), Stage 3A
Weight	18 100 kg

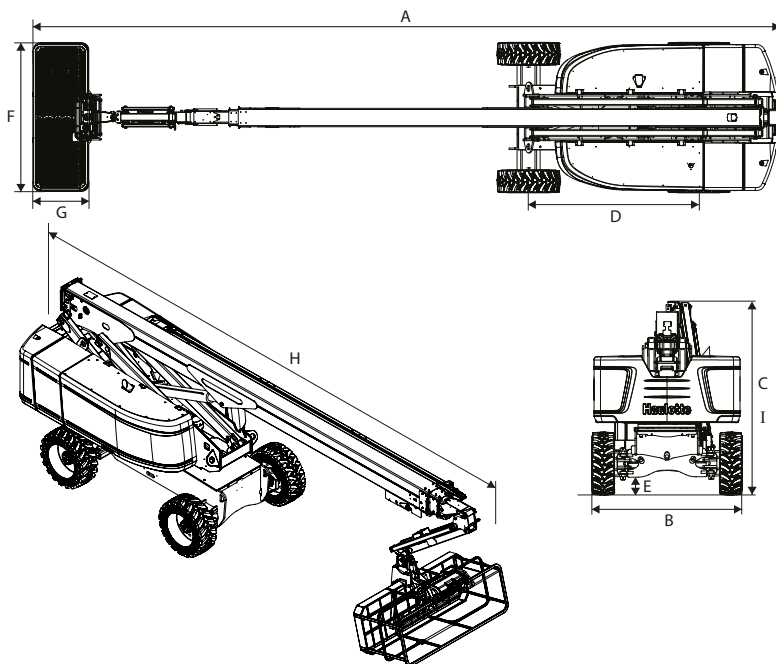


STANDARD EQUIPMENT

- Haulotte Activ/Lighting Safe Load System
- Haulotte Stop Emission System
- Haulotte smooth proportional movements
- Haulotte Activ/Screen
- Haulotte Activ' Shield™ Bar 2.0 **
- 4 wheel drive / 4 wheel steer
- Automatic differential wheel lock
- Oscillating axle
- Large modular basket 2.44 x 0.91 m
- Drop bar entry gate
- Lift capacity 230 kg
- Basket rotation 180° (+90/-90)
- Upper control box protection cover and tool tray in ultra-solid composite
- Sound and light alarm for tilt and load
- Driving sound and rotating beacon light alarms
- Safe to use in winds up to 45 km/h
- Swing out engine tray for ease maintenance
- Universal telematics plug

OPTIONS AND ACCESSORIES

- Dual load capacity 230-350 kg (2 persons)
- Lateral swing door entry gate
- Power to platform (Female plug 230V/110V)
- Hydraulic generator 3.5 kW or 6.5 kW
- Air line to platform 13 mm inner diameter
- Glazier pack
- Pipe cradle pack
- Motion flashing warning light
- Cold weather kit / Artic weather kit
- Hydraulic oil cooler
- Non-marking tires
- Battery circuit breaker



** Equipment as standard or option depending on the country